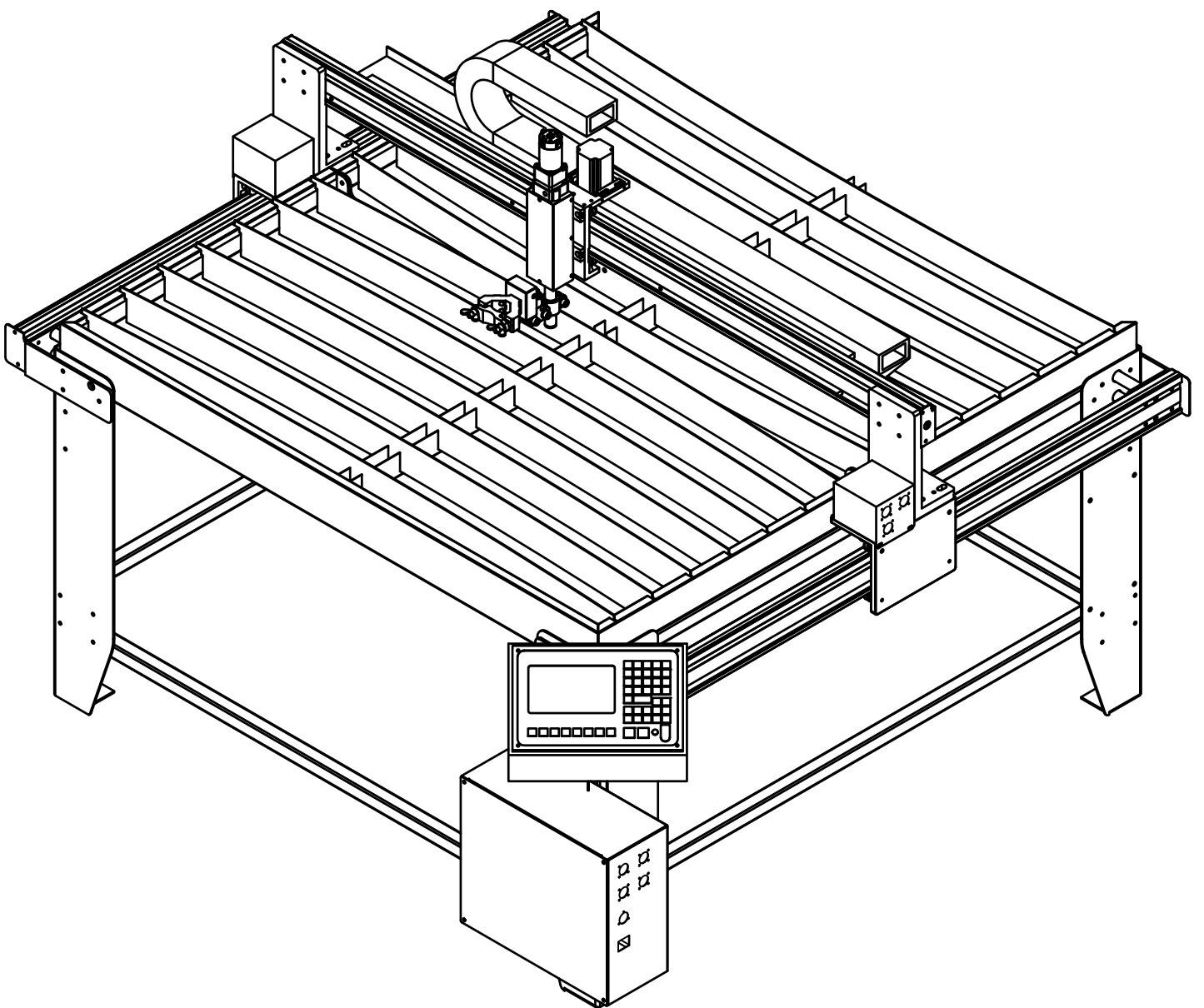
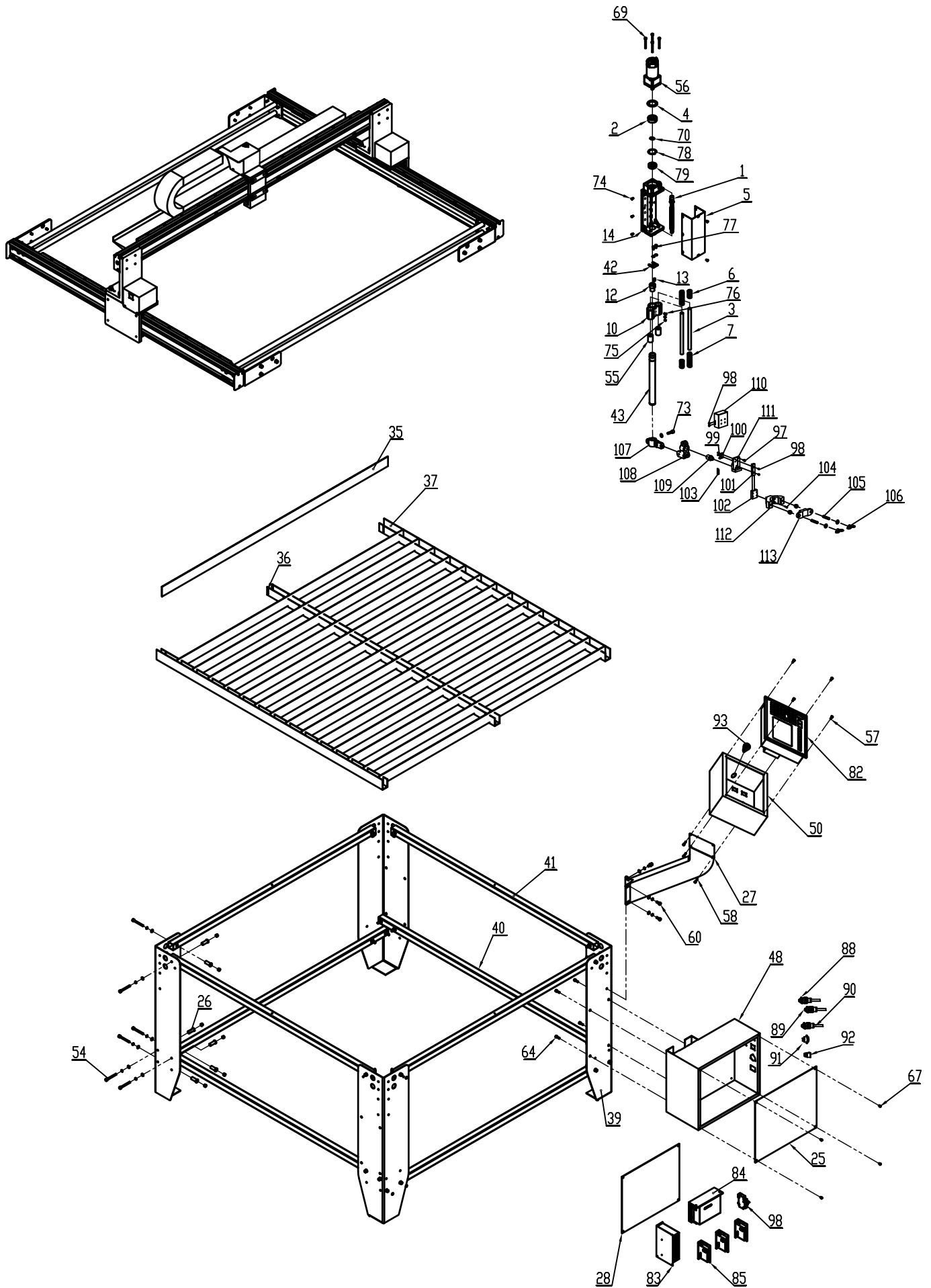


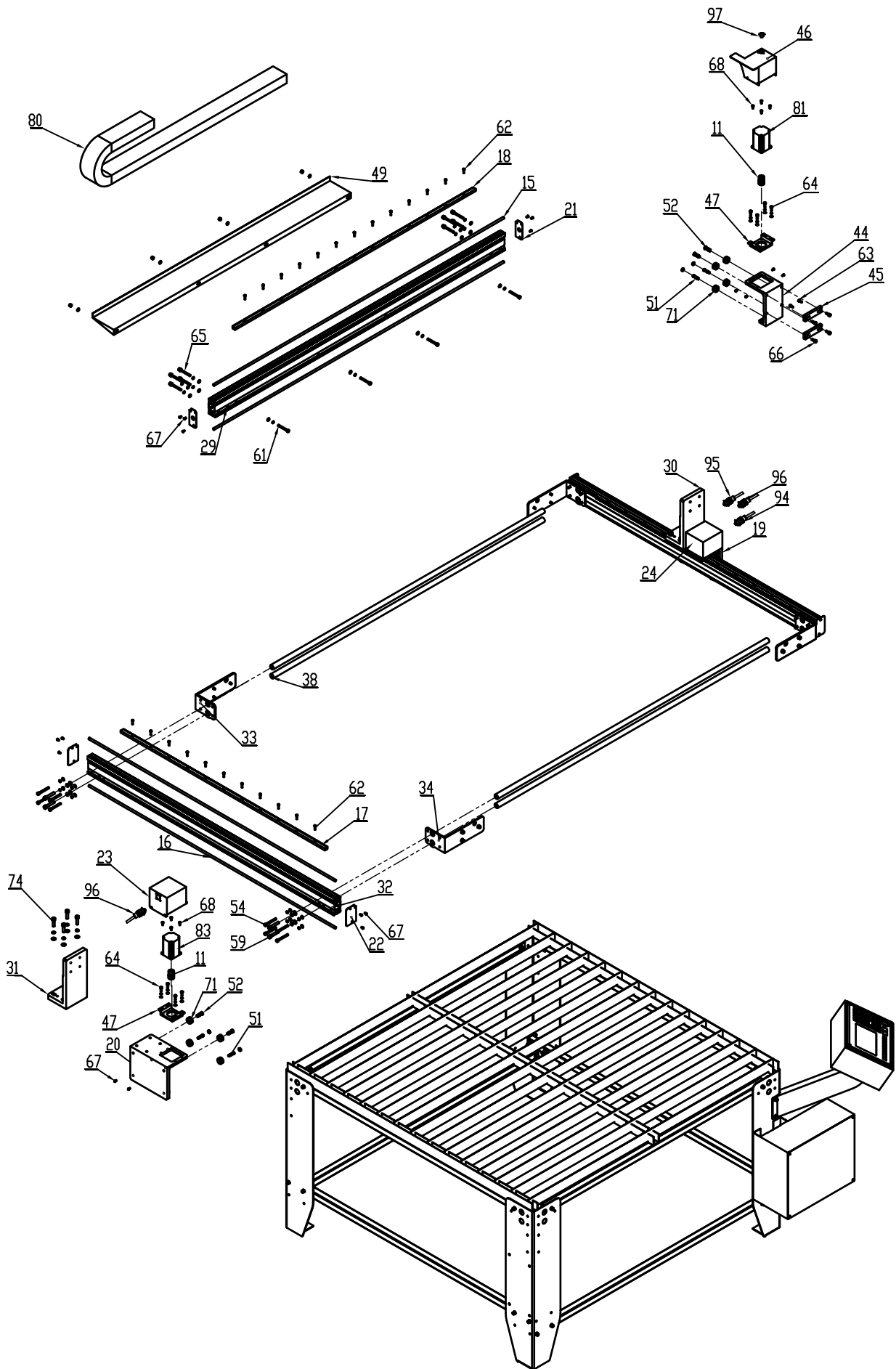
MINICUT-4400 Exploded View And List



MINNI CUT-4400 Exploded view of plasma cutting machine(一)



MINI CUT-4400 Exploded view of plasma cutting machine(二)



MINNI Cut-4400 table cutting machine parts list

SN	Name	Quantity	SN	Name	Quantity
1	Lifting screw	1	34	Longitudinal guide connecting plate A	2
2	Clamp ring	1	35	Vertical plate	15
3	Guide shaft	2	36	Cutting table vertical plate frame (middle)	1
4	Flanged bushing	1	37	Cutting table vertical plate frame	2
5	Front cover	1	38	Connecting rod	4
6	The lifting body spring is short	2	39	leg	4
7	The lifting body spring is long	2	40	Lower frame square tube	4
8	Transition connector	1	41	Upper frame square tube	4
9	Gripper connection rod	1	42	Nut clamp	1
10	Miniature bearing housing	1	43	Lifting lever	1
11	Transmission gear	3	44	Lateral support	1
12	Lead screw nut (right hand)	1	45	Adapter plate	2
13	The flat key 4 x6	1	46	Transverse motor shield	1
14	Lifting body body	1	47	Motor mounting plate	3
15	Transverse optical axis 1590	2	48	Electrical box body	1
16	Longitudinal optical axis 1350	4	49	Drag chain slot	1
17	Longitudinal rack 1120	2	50	System box body	1
18	Transverse rack 1320	1	51	Eccentric stud	6
19	Widen the moving body to the right	1	52	Inner hexagon outer hexagon super flat head	6
20	Widen the moving body to the left	1	54	Hex socket with spring washer flat washer	40
21	Transverse rail sealing plate	3	55	12 straight line bearing	2
22	Longitudinal rail sealing plate	4	56	Wxq-8-0 lifting body motor	1
23	Left longitudinal motor shield	1	57	Hexagon socket head screws	4
24	Right longitudinal motor shield	1	58	Hexagon socket head screws	4
25	Electrical box cover	1	59	Hex socket with spring washer flat washer	8
26	Screw spacer	24	60	Hex socket with spring washer flat washer	16
27	System box bracket	1	61	Hex socket with spring washer flat washer	4
28	Electrical backplane	1	62	Hexagon socket head screws	35
29	Transverse guide	1	63	Hexagon socket head screws	2
30	On the right side of the plate	1	64	Hex socket with spring washer flat washer	12
31	On the left side of the plate	1	65	Hex socket with spring washer flat washer	8
32	Longitudinal guide rails	2	66	Hexagon socket head screws	4
33	Longitudinal guide connecting plate B	4	67	Hexagon socket flat head screws	34

MINNI Cut-4400 table cutting machine parts list

SN	Name	Quantity	SN	Name	Quantity
68	Hexagon socket head screws	12	101	Sliding block guide rail	1
69	Hexagon socket head screws	4	102	The slider	1
70	Elastic retainer for shaft type A	1	103	Limit stop	1
71	roller	12	104	Hexagon socket head screws	4
72	Hex socket with spring washer flat washer	10	105	Hexagon socket set screw	2
73	Hex socket with spring washer flat washer	6	106	Butterfly nut	2
74	Cross recessed countersunk head screws	8	107	Gripper connection rod	1
75	Inner hexagon cone end setting screw	2	108	Transition connector	1
76	Cross recessed small pan head screws	1	109	Variable diameter connecting shaft	1
77	Cross recessed small pan head screws	2	110	Plasma gripper cover	1
78	Elastic retainer A for holes	1	111	Plasma gripper holder	1
79	Deep groove ball bearing	1	112	Gripper head	1
80	Drag chain	1	113	Plasma pressure plate	1
81	Transverse and longitudinal motor	3			
82	system	1			
83	Switching power supply	1			
84	Points linking piece	1			
85	drive	3			
86	Plug in the socket	2			
87	Plug in the socket	2			
88	Plug in the socket	2			
89	The socket	1			
90	Push button switch	1			
91	The abrupt stop switch	1			
92	Plug in the socket	1			
93	Plug in the socket	1			
94	Plug in the socket	1			
95	The socket	1			
96	fuse	1			
97	Three hole socket	1			
98	Cross recessed small pan head screws	4			
99	Cross recessed small pan head screws	2			
100	Limit switch	1			